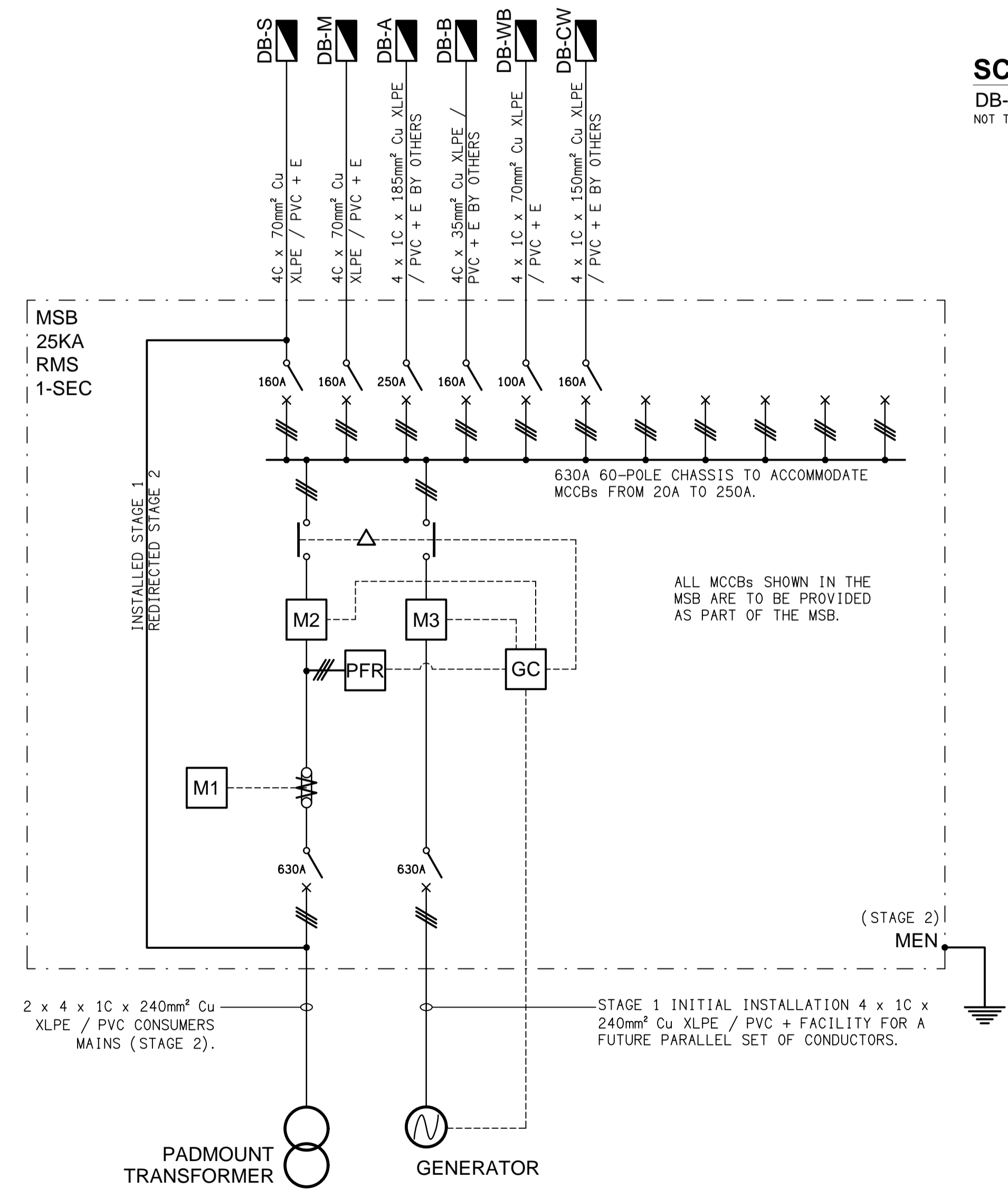
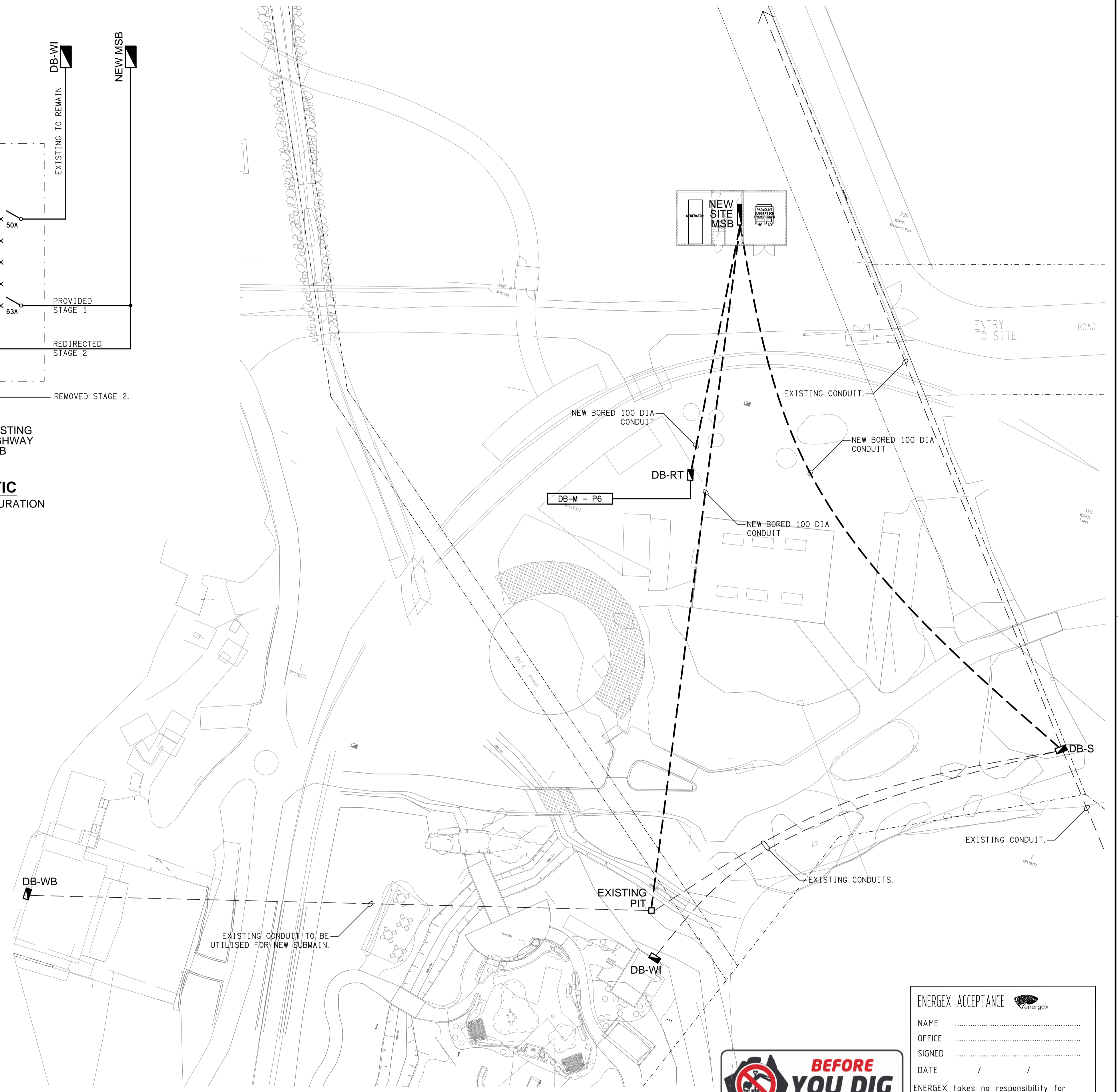


**SCHEMATIC
DB-S CONFIGURATION**
NOT TO SCALE



**SCHEMATIC
MSB CONFIGURATION**
NOT TO SCALE



**SITE PLAN
CONDUIT ROUTES**
SCALE 1:250



ENERGEX ACCEPTANCE

NAME

OFFICE

SIGNED

DATE / /

ENERGEX takes no responsibility for the accuracy of the information provided on this drawing

ELECTRICAL DESIGN GROUP BRISBANE PTY LTD
ACN 092 710 793
TRADING AS:
ELECTRICAL DESIGN GROUP

THE COPYRIGHT OF THIS DRAWING REMAINS THE PROPERTY OF THE ELECTRICAL DESIGN GROUP.
USE FIGURED DIMENSIONS IN PREFERENCE TO SCALE.
ALL DIMENSIONS TO BE VERIFIED ONSITE.

CULVERT INSPECTION REQUIRED BEFORE TRANSFORMER IS DELIVERED - 5 BUSINESS DAYS PRIOR NOTICE NEEDED.
CONTACT _____ PH: _____ EMAIL: _____
TRANSFORMER WILL NOT BE ENERGISED UNTIL ALL REQUIREMENTS ARE MET.

ELECTRICAL DESIGN GROUP
ELECTRICAL BUILDING SERVICES CONSULTANTS
BRISBANE GOLD COAST
P.O. Box 15, Sherwood Q.4075
Phone: (07) 3278 4375
Email: brisbane@edg.net.au
Web: www.edg.net.au

PROJECT:
**CURRUMBIN WILDLIFE SANCTUARY
SITE MSB**
28 TOMWIN STREET, CURRUMBIN, QUEENSLAND

C	CONSTRUCTION	18/01/2024
REV:	DESCRIPTION:	DATE:
DRAWING: ELECTRICAL SERVICES SITE CONDUIT PLAN & POWER SCHEMATICS		
SCALE: 1:250	AT A1	PROJECT NO: C3112a
		DRAWING NO: E06
		REVISION: C